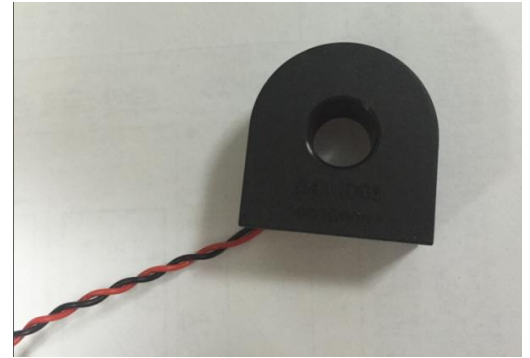


ACX-1050 Flying lead Current Transformer

FEATURES:

1. Very high output voltage&linearity in small size
2. Integral flying leads for ease of installation
3. Manufactured in an ISO9001:2008, ISO14001:2004
4. Fully ROHS&REACH Compliant

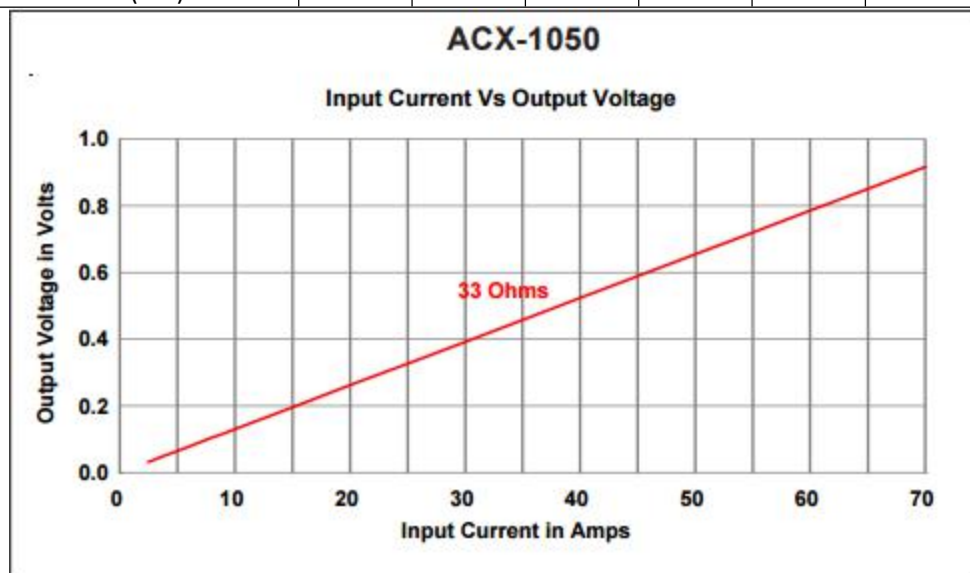


Electrical Specifications at 20°C

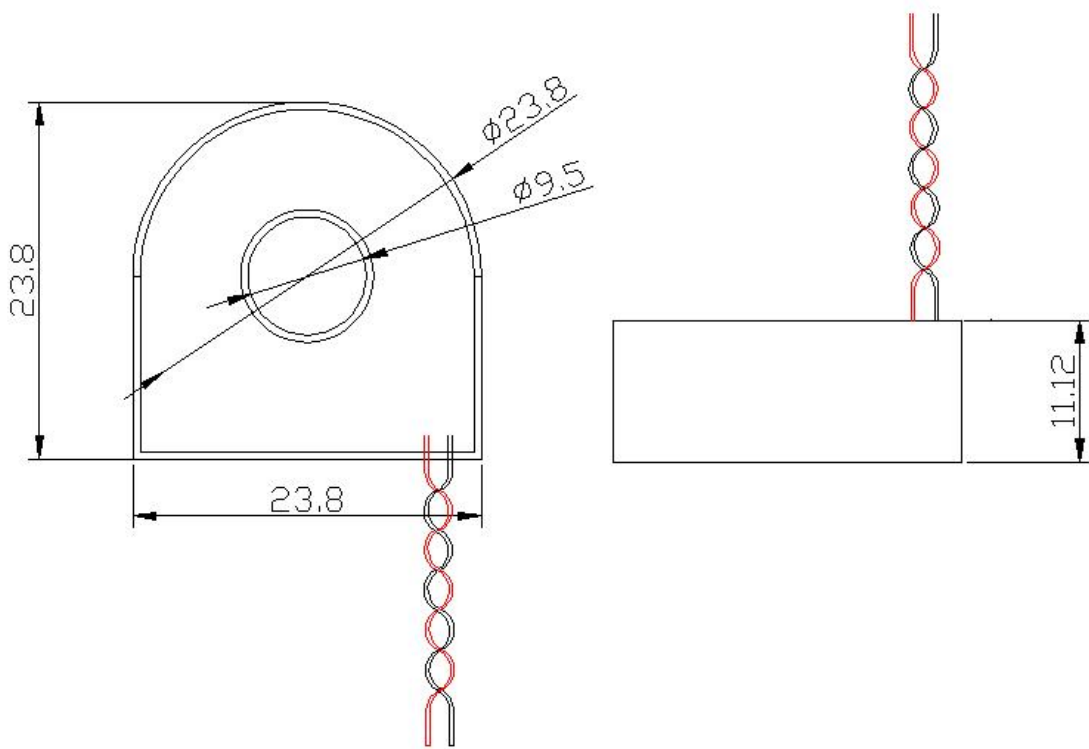
Parameter	ACX-1050
Operating frequency	50/60HZ
primary current	50A
Turns ratio	2500:1
Rated burden resistance	33Ω
Operating temperature	-40°C to +85°C
Storage temperature	-40°C to +85°C
Dielectric withstand voltage	4000V
Accuracy Class	1.0

MECHANICAL DIMENSIONS

Primary current(A)	10	20	30	40	50	60	70
Secondary output voltage for 33 ohm load (mV)	0.132	0.264	0.396	0.528	0.66	0.792	0.924



MECHANICAL DIMENSIONS



Leads out : Flex UL 1569, AWG26, 300V Rating, 130±5mm long out of trafo with 5mm tinned ends
Dimension unit: mm, Dismensional Tolerance: ± 0.25 mm(Unless specified)

CIRCUIT SCHEMATIC:

