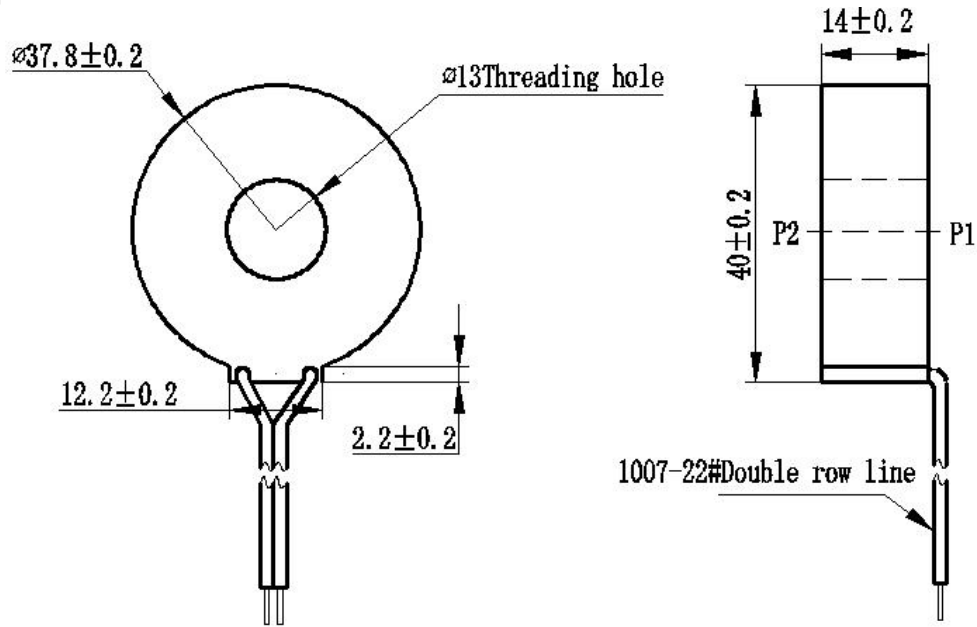


ZEMCT303A Current Transformer

Mainly for motor soft-start current sampling

Structural parameters:



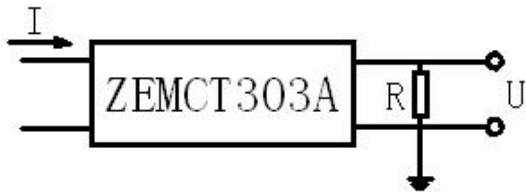
Front View

Lateral view

The main technical parameters:

Model	ZEMCT303A
input current	0~400A (sampling resistor 5Ω)
Rated output current	5mA at input 5A
Turns ratio	1000:1
phase angle error	≤200' (input 10A, sampling resistor 5Ω)
linearity	≤5%(5%dot~120%dot)
Permissible error	-5% ≤ f ≤ 0 (input 10A, sampling resistor 5Ω)
Output leads	Red, black (same polarity: P1 and red wire)
application	motor soft-start current sampling
Encapsulation	Epoxy
installation	Straight-through type
operating temperature	-40℃~+85℃

Direction for use:



$$U = \frac{I}{1000} \cdot R$$

I: input current
R: sampling resistor
U: sampling volatge

1. ZEMCT303A used for protection. Typical usage as shown.