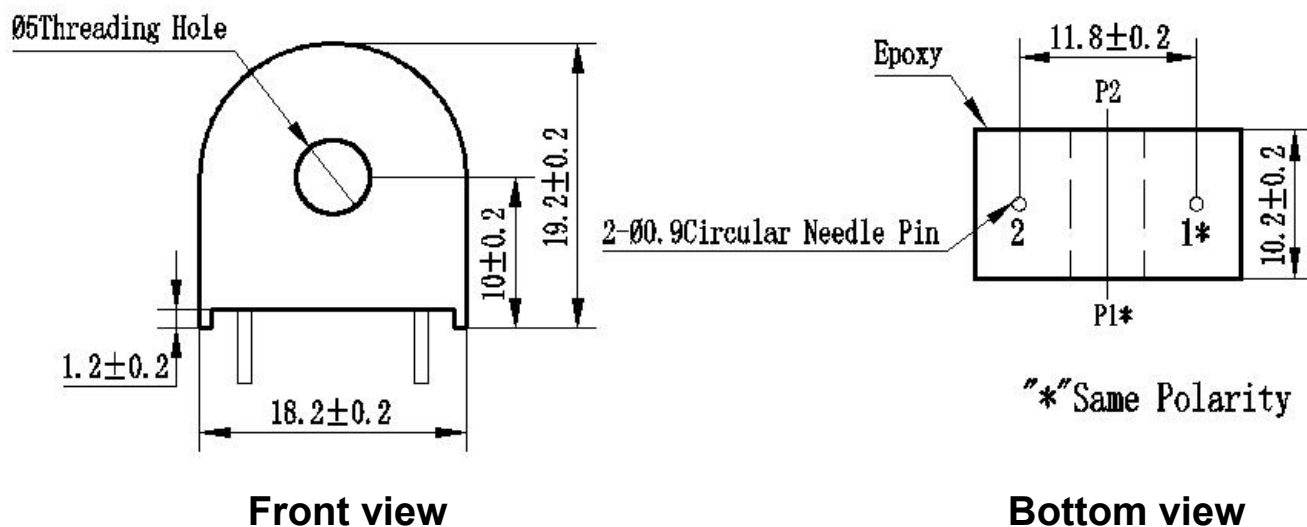


ZMCT102AA Current Transformer

Small size, high accuracy, good consistency, for current and power measurement

Structural parameter:



The main technical parameters:

| | |
|-----------------------|---|
| Model | ZMCT102AA |
| input current | 0-20A (100Ω) |
| Rated output current | 2.5mA at input 5A |
| turns ratio | 2000:1 |
| phase angle error | 5%~120%, Phase difference value between the two points $\leq 10'$ (sampling resistor 100Ω) |
| linear range | 0~20A (sampling resistor 100Ω) |
| linearity | 0.1% (5%~120%) |
| Permissible error | $-0.1\% \leq f \leq +0.1\%$ (input 1A, sampling resistor 100Ω) |
| application | 4500V |
| isolation voltage | High precision measurement of current and power |
| Encapsulation | Epoxy |
| installation | PCB mounting (Pin length > 3mm) |
| operating temperature | -40°C ~ +85°C |

Direction for use:

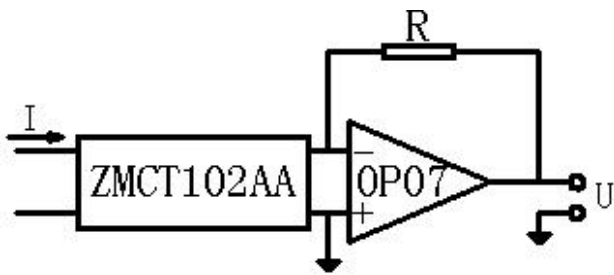


Figure I



$$U = \frac{I}{2000} \cdot R$$

I: input current
 R: sampling resistor
 U: sampling voltage

Figure II

1. The typical usage of the product is for the active output (Figure I) . R is a sampling resistor
2. The product can be directly through the resistance sampling , easy to use (Figure II) .